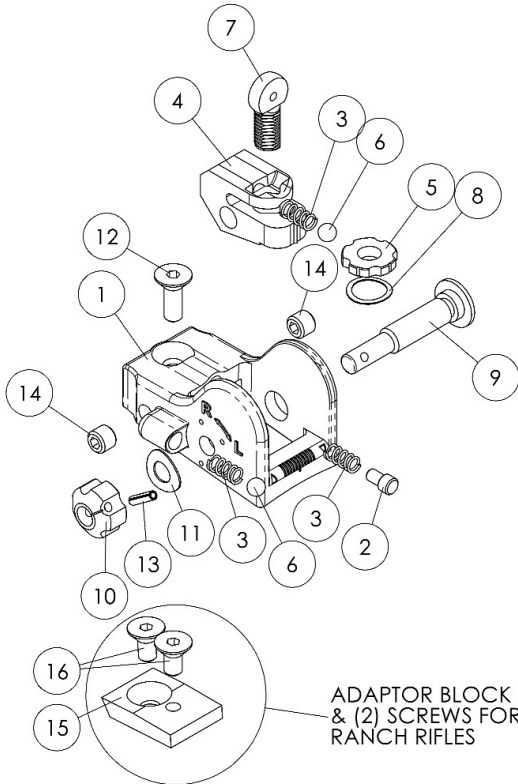


ITEM NO.	PART NUMBER	DESCRIPTION	QTY.	PRICE
1	TS00230	SIGHT BASE (MINI 14)	1	\$20.00
2	TS00228	STABILIZER PLUNGER	1	\$ 2.00
3	TS00135	ELEVATION DETENT SPRING	3	\$ 1.00
4	TS00132	ELEVATION BASE	1	\$10.00
5	TS00133	DIAL	1	\$ 5.00
6	TS00136	BALL, .125" DIAMETER CHROME	2	\$ 1.00
7	TS00134	APERTURE - .062 DIA.	1	\$ 8.00
8	TS00131	SPRING WASHER, ELEVATION	1	\$ 2.00
9	TS00107	WINDAGE SCREW, A2	1	\$ 3.00
10	TS00170	KNOB	1	\$ 8.00
11	TS00168	DISC SPRING	1	\$ 2.00
12	TS00231	SCREW 5-40	1	\$ 1.00
13	TS00017	ROLL PIN, 1/16 X 1/4"	1	\$.50
14	TS00232	SOCKET SET SCREW - 8-36 X 1/8"	2	\$ 1.00
15	TS00236	ADAPTOR BLOCK - (REQUIRED FOR PRE 2005 RANCH RIFLES)	1	\$ 5.00
16	TS00240	SCREW 5-40 X 1/4" - (REQUIRED FOR PRE 2005 RANCH RIFLES)	2	\$ 1.00



ASSEMBLY INSTRUCTIONS
for the
MINI200 SIGHTS



ADAPTOR BLOCK
& (2) SCREWS FOR PRE 2005
RANCH RIFLES

PRODUCT GUARANTEE

The Tech-SIGHTS MINI200 has been designed to be a quality accessory for your firearm. If any part of the MINI200 should fail due to normal usage or manufacturing defect, we will replace the part(s) at no charge to the customer for a period of one year from the date of purchase.

Although we have made every effort to create a sight that will increase the accuracy of your firearm, we can make no guarantee as to the results each individual will experience using the sight.



Tech-SIGHTS, LLC
Hartsville, SC 29550

Phone: 843-332-8222
Email: sales@Tech-SIGHTS.com
www.Tech-SIGHTS.com



Receiver Mounted Aperture Sights
For the Ruger® Mini14 and
Ranch Rifles

Tech TM SIGHTS

Assembly Instructions for the MINI200 Sights

1. ALWAYS POINT MUZZLE IN A SAFE DIRECTION.
2. REMOVE THE MAGAZINE.
3. PULL THE BOLT TO THE REAR AND LOCK IN POSITION.
4. CHECK TO SEE THAT THERE ARE NO CARTRIDGES IN THE CHAMBER OR MAGAZINE.
5. Remove the rear sight as shown in Fig. 1 (for 5800 series) or Fig. 2 (for pre-2005 Ranch rifles).

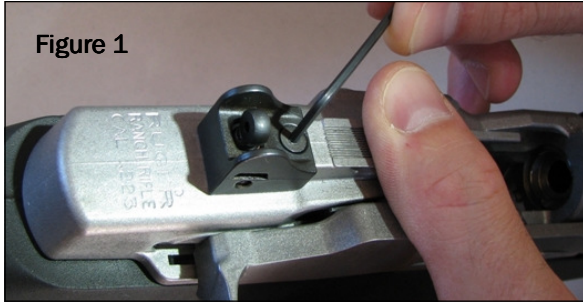


Figure 1

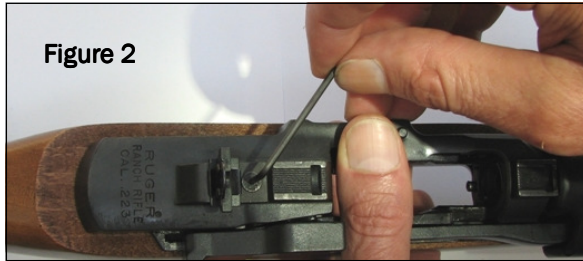


Figure 2

6. FOR PRE-2005 RANCH RIFLES ONLY - (SKIP THIS STEP - FOR 5800 SERIES RIFLES)

Apply medium strength Loctite or equivalent to (TS00240) Screw 5-40 x 1/4" and install (TS00236) Adaptor Block as shown in Fig. 3 & 4.



Figure 3

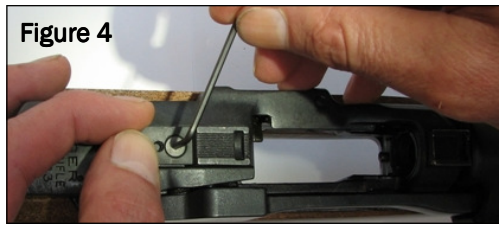


Figure 4

7. Install the Tech-SIGHTS MINI200 sight as shown in Fig. 5 & 6 (for 5800 series), or Fig. 7 & 8 (for pre-2005 Ranch rifles). Apply medium strength Loctite or equivalent to (TS00231) Screw 5-40 for 5800 Series or (TS00240) Screw 5-40 x 1/4" for pre-2005 Ranch rifles, before assembly.

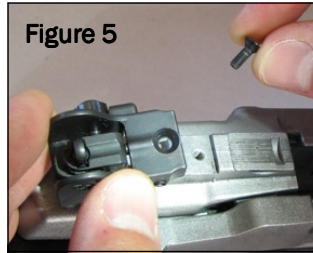


Figure 5

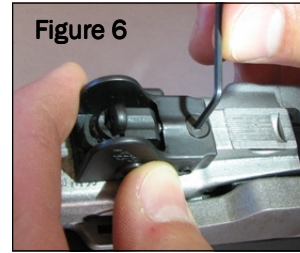


Figure 6

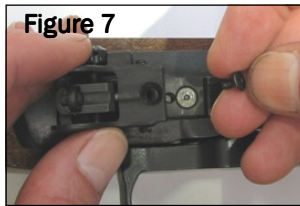


Figure 7



Figure 8

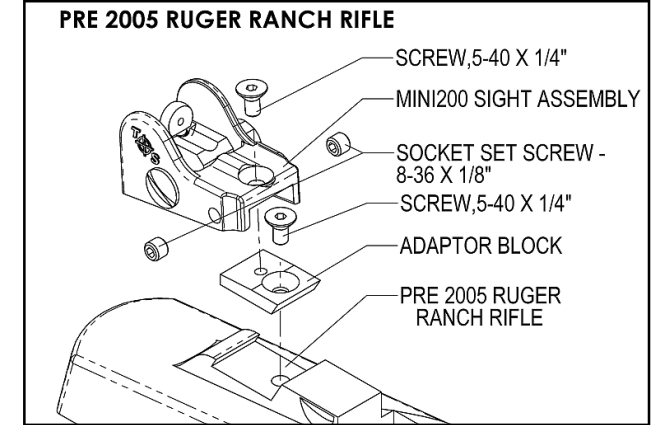
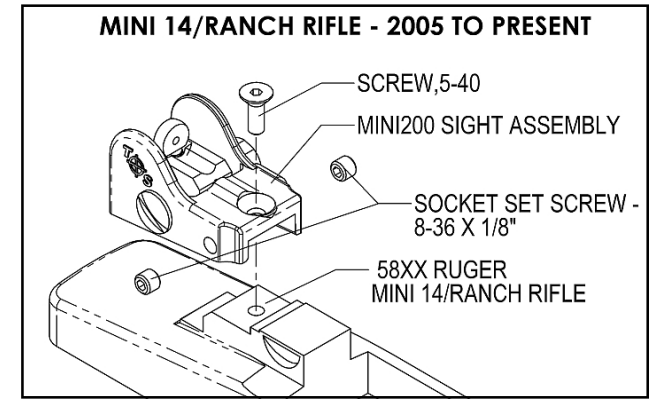
8. Apply a small amount of medium Loctite to the two 8-36 x 1/8" set screws. Thread and lightly tighten them into both sides of the sight assembly as shown in Fig. 9 & 10.



Figure 9



Figure 10



Sight Adjustments for the MINI200

